

The photograph may not match the reference exactly. Please read the product description to identify the finish.

TECHNICAL CHARACTERISTICS



Product Model:	T-32LLED40-16	T-32LLED60-24	T-32LLED80-32	T-32LLED40-56	T-32LLED60-84
IP Protection degrees:	IP66				
IK Protection degrees:	IK09				
Light source:	16 x LED CREE / 16 x LUXEON 5050	24 x LED CREE / 24 x LUXEON 5050	32 x LED CREE / 32 x LUXEON 5050	56 x LUXEON 3030	84 x LUXEON 3030
Total power consumption:	40W	60W	80W	40W	60W
Luminous Flux:	4000-5600Lm	6000-8400Lm	8000-11200Lm	4000-5600Lm	6000-8400Lm
Luminous efficiency:	100-140Lm/w				
Color temperature:	4000K as standard. Optimal 2700K, 3000K & 5700K. Amber LED available				
Voltage/Frequency:	110-240V/50-60Hz				
Warranty(Years):	5				
Units per box:	1(Body)/6(Bracket)				
Net Weight(Kg)	12.8	13	13.2	12.8	13
Aerodynamic resistance (CxS)	0.251				

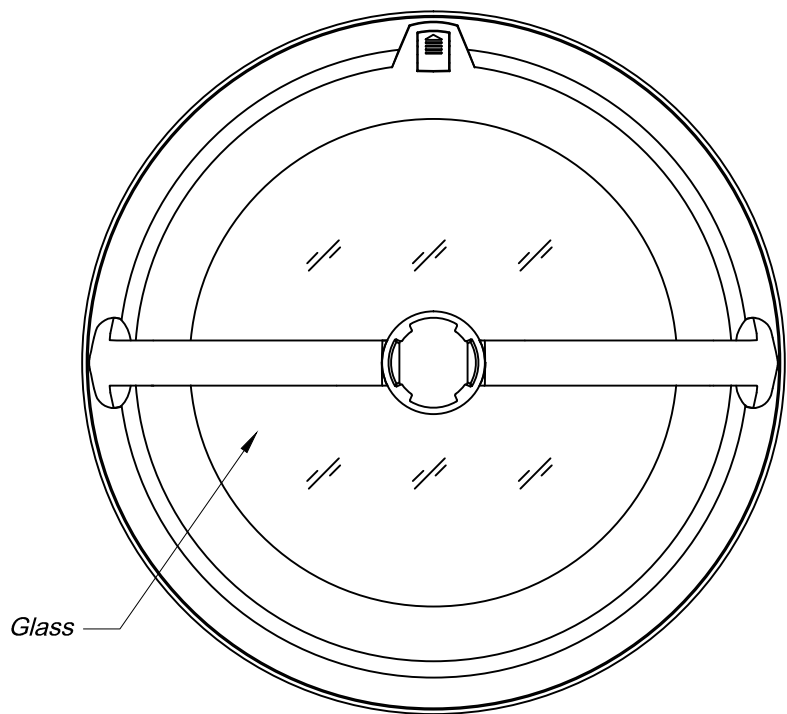
MATERIALS / FINISHES

Structure material: High purity aluminium	aiffuser material: Glass
Structure finish: Black	Diffuser finish: Transparent

GEAR

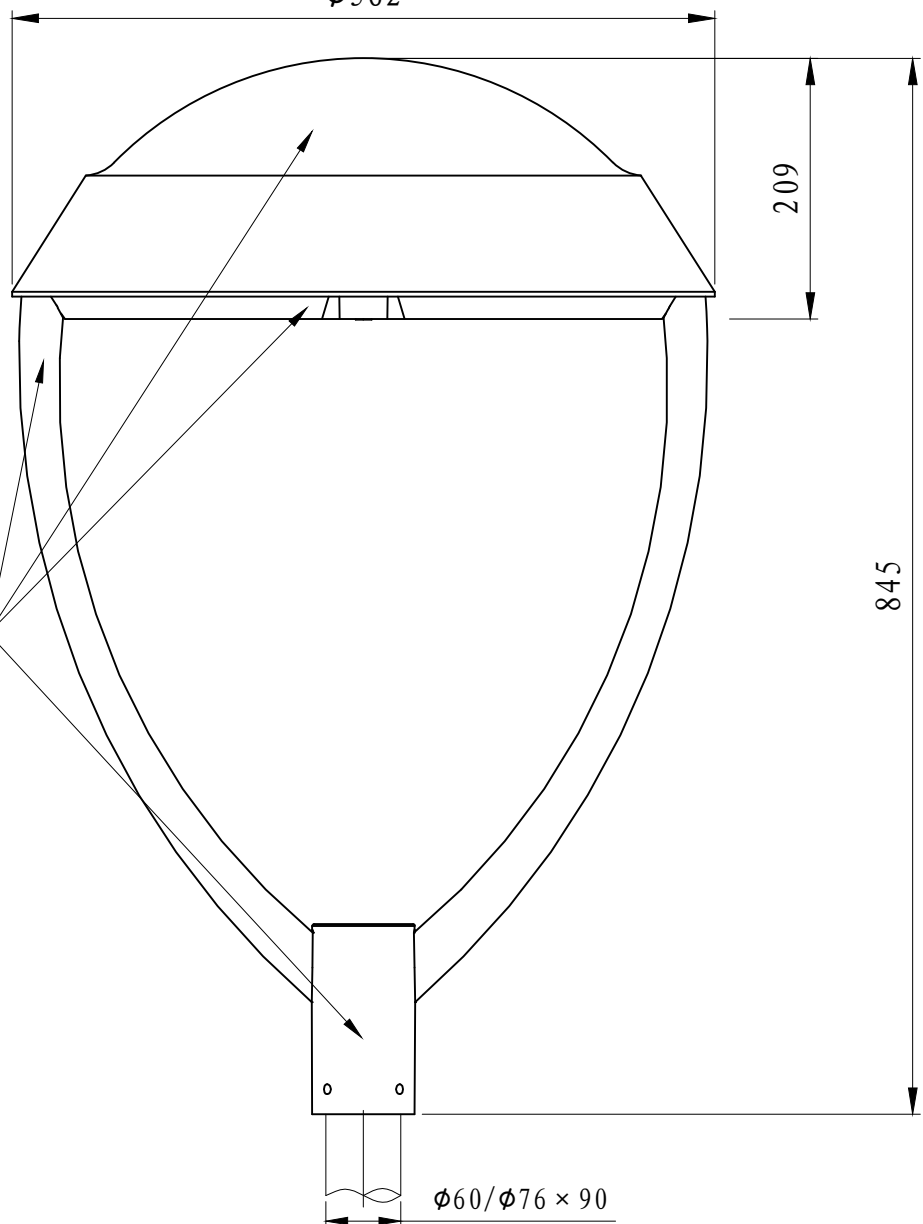
Multi-voltage electronic gear included (100-240 V / 50-60 Hz)

Lm^(N): Nominal flow of light in actual working conditions. Its actual flow will depend on the environmental conditions and the efficiency of the optics and/or diffuser.



Glass

$\phi 562$



209

845

High purity aluminum

$\phi 60/\phi 76 \times 90$